

### BEFORE YOU START:

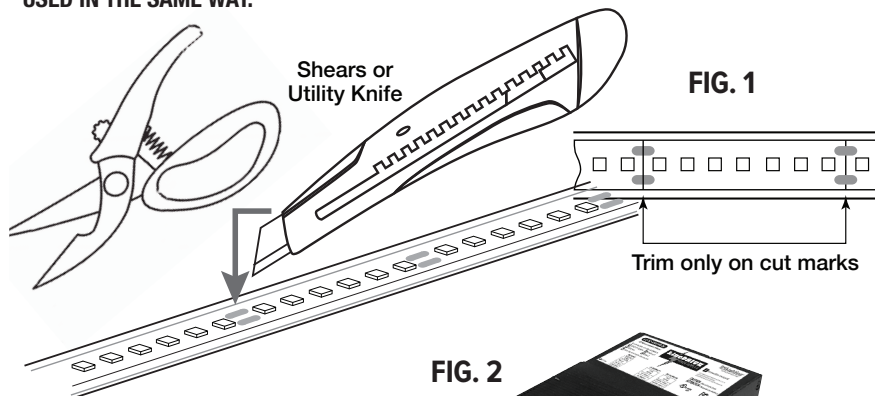
- Please check local electrical codes before beginning
- Turn power off before installing
- Make sure to use properly rated wire

**NOTE: DO NOT INSTALL IN AN APPLICATION THAT IS OUTSIDE OF THE PRODUCTS LISTED AMBIENT TEMPERATURE AND IN AN AREA THAT IS NOT EASILY ACCESSED FOR SERVICE REQUIREMENTS.**

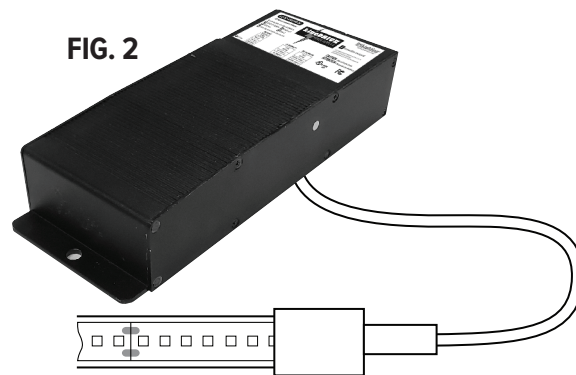
**DIAGRAM NOTE: TAPE REPRESENTED IN DIAGRAMS IS LTR-P-WP. LTR-S-COB-WP CAN BE USED IN THE SAME WAY.**



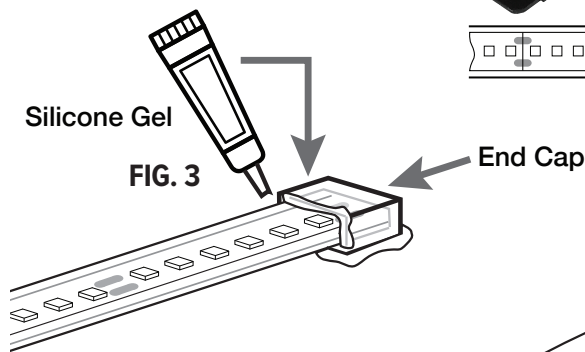
**1. CUT WP TAPE TO DESIRED LENGTH.** Using a utility knife or shears, cut tape at cut marks only. Press blade firmly and apply enough pressure to cut through silicone sheath that surrounds tape. Do not exceed maximum run. Make a clean cut. Return unused tape to protective pouch that it came in. (FIG. 1)



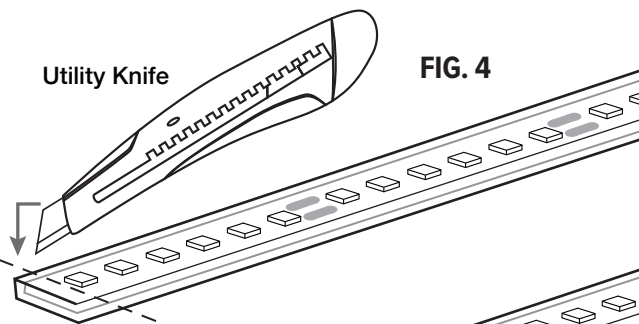
**2. CONNECTING TAPE TO 24VDC POWER.** Tape comes with pre-connected tape to power supply leads (48" supplied - trim to needed length). Use remote LineDRIVE\* or compatible 24VDC power supply and connect, using instructions that come with power supply (FIG. 2).



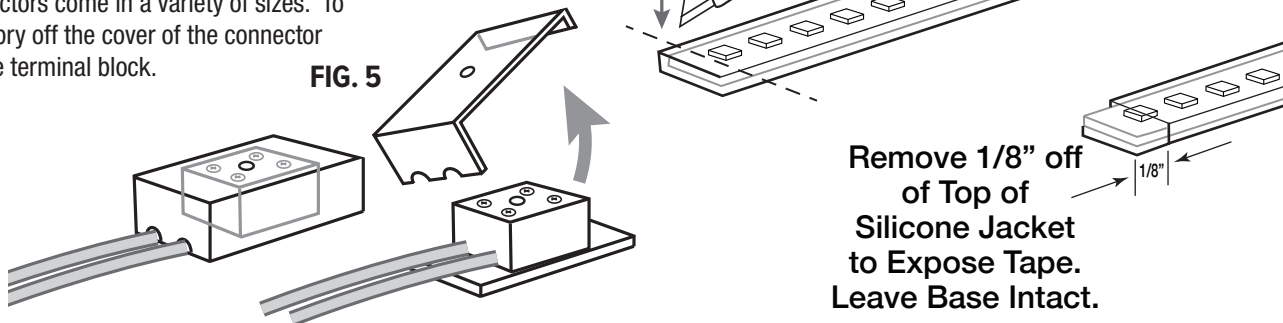
**3. TERMINATING END OF RUN**  
NOTE: If you are connecting other lengths of WP tape, go to Step 4. Once you are done connecting multiple lengths of tape, terminate end of run by applying waterproof silicone gel (by others) around end of tape. Insert end cap and insure a firm grip. Silicone, properly applied, will insure a water tight termination. (FIG. 3).



**4. CUTTING AND CONNECTING TAPE BEFORE USING CONNECTOR** Using a utility knife or hobby knife, carefully trim approximately 1/8" of top of silicone shielding that surrounds tape, leaving tape exposed. Trim carefully so that base is intact. (FIG. 4).



**5. TAPE TO TAPE OR TAPE TO POWER CONNECTOR** Flexible tape to tape or tape to power connectors come in a variety of sizes. To start, gently pry off the cover of the connector to expose the terminal block. (FIG. 5).



**6. CONNECT TAPE TO CONNECTOR.** Unscrew the two terminal screws on terminal block that will face the tape that you just trimmed. Firmly insert the exposed end of tape into the terminal block and tighten screws, **but do not over-tighten.** (FIG. 6)

**7. APPLYING SILICONE TO CONNECTOR.** Apply a liberal coating of silicone to the connection that you just created. Spread it around base of connector. (FIG. 7) Replace connector cover and apply silicone to where cover connects to connector base.

**LET CURE FOR 24 HOURS BEFORE PROCEEDING.**

**NOTE: REPEAT CONNECTION PROCESS FOR SECOND LENGTH OF TAPE.**

**8. PREPARE MOUNTING SURFACE.** Make sure that surface where WP tape is to be affixed is free of dust and dirt. Depending on surface material, use appropriate cleaner. (FIG. 8).

**9. EXPOSING 3M TAPE BACKING.** Peel back red paper covering to expose adhesive. Lay length of tape along application area and press down firmly to engage adhesive, being careful not to damage exposed diodes. (FIG. 9).

#### NOTE ON CHANNEL INSTALLATION

LTR-P-WP tape fits in a wide variety of GM Lighting mounting channels. Consult our website for compatible channels.

[www.gmlighting.net](http://www.gmlighting.net)

